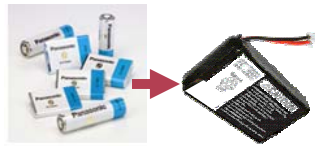


Applications

Rose Knows Batteries: Experienced Engineering

Our staff knows batteries. For over 40 years, Rose has been helping OEMs design battery systems for their equipment with all major chemistries, and we who work at Rose take this task very seriously. We will tell you what's possible and what isn't; we don't promise what we can't deliver. We work with all major cell vendors to bring you the options most suited to your application needs. **Call Rose Electronics, your best technical resource for battery and power applications and projects.**



BUILD A BATTERY

Need to go from cells to a custom lithium ion battery pack? See which battery configuration option is the best suited for your application! Go to the Rose Electronics website and check out our new battery builder to create your custom pack today!

Products

High Drain Li-Ion from E-One/Moli Energy



Need a high drain li-ion cell for your application? The IMR26700A cylindrical cell from E-One/Moli Energy consists of a manganese dioxide positive electrode material and a graphitic carbon negative electrode, providing 3.8V and 2900mAh. At 101 grams, with a Volumetric energy density of 285 Wh/l, it packs a lot of power. And, it can be continuously discharged at up to 20A! Contact Rose for more information on the IMR26700A!

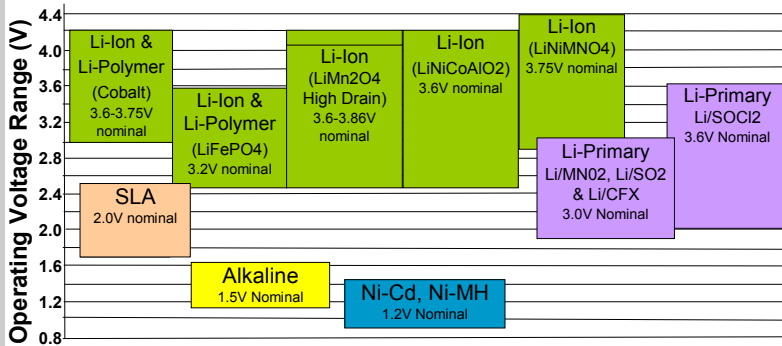
Did you know?

Rose will again display at the **Medical Device and Manufacturing Show/ Electronics West Show in Anaheim February 12-15, 2007!** Click here for free registration!



Rose Knows Batteries - Technology Notes

Technology Note: Battery chemistries have varying voltage ranges



The voltage range of a particular cell is determined by the cell's chemical makeup. The cell "recipe" used in its manufacture determines the cell's operating voltage, no matter the cell size.



Make sure you know the latest transport rules for lithium batteries. Visit www.rosebatteries.com

About Rose Electronics

Rose is a leading supplier of batteries and power solutions for the **GPS mobile systems, medical device, industrial field service equipment and enterprise storage solution** marketplaces. Rose has earned the trust, respect and loyalty of some of the most demanding OEMs. Call us at 1-800-632-4789 or visit www.rosebatteries.com.